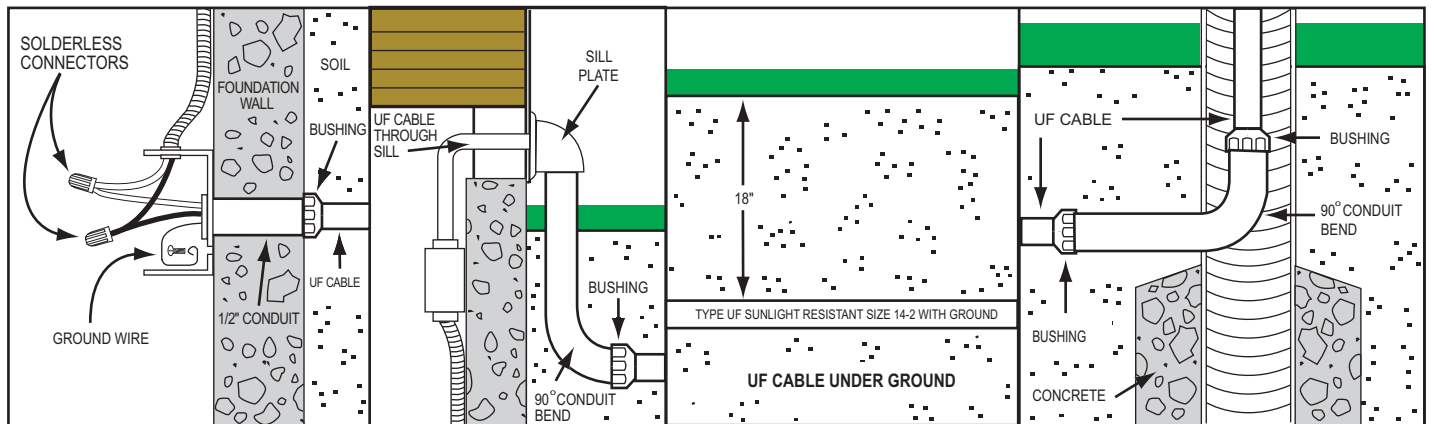


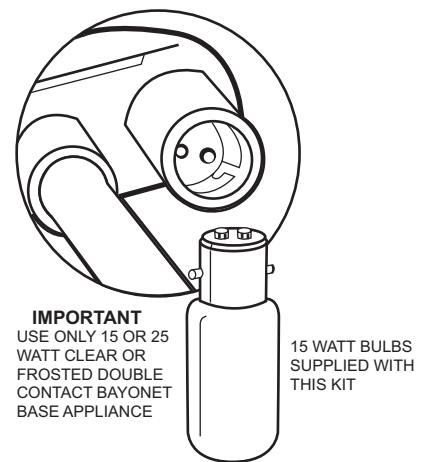
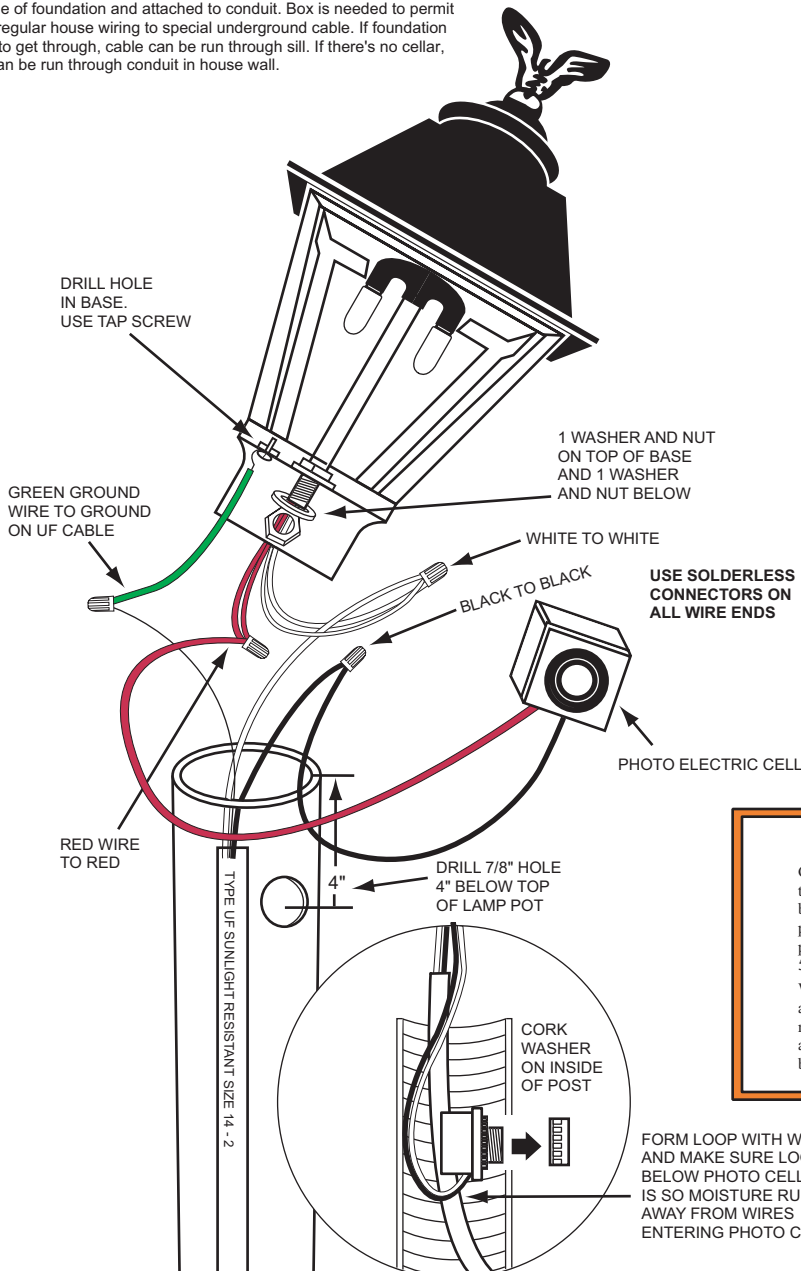
INSTALLATION GUIDE - 115VP WITH PHOTO ELECTRIC CONTROL

Contact your electrical inspector to see what the local code requirements are for the electrification of a gas lamp.

1. Make sure that the gas supply to the lamp has been disconnected and permanently sealed by your gas company.
2. Remove the lamphood from the post by removing the screw located at the base of the lamphood.
3. Remove the gas valve and mantle holder support assembly from the lamp frame.
4. Insert REALITE fixture and firmly secure as shown in diagram.
5. Drill a hole into the base of the lamphood and secure a green ground wire with a self tapping screw or a nut and bolt.
6. Drill a 7/8 inch hole about 4 inches below the top of the lamp post. Do not point the photo control directly towards a strong nighttime light source including passing car headlights.
7. Bury the 14/2 UF cable with ground from the house to the pole. Examples of the proper way to accomplish this are shown in the diagram. Bury the wire to the depth required by your local electrical code.
8. The National Electrical Code requires that the wire be enclosed in a metal conduit when it rises above the minimum required burial depth or passes through a foundation. Bushings are always required to protect the wire when it enters or exits the metal conduit.
9. Turn off the electrical power to your house and make your final connection. Connect the black UF cable wire to a hot wire in your junction box, the white wire to a neutral wire and the copper ground wire to the proper ground.
10. Use only 15 or 25 watt clear or frosted double contact, bayonet base, appliance bulbs in this fixture. Failure to use the correct lamps voids the warranty and could damage the fixture. Covering the photo electric eye with your hand will light the lamps.



TO BRING ELECTRICITY THROUGH WALL, junction box is mounted on inside of foundation and attached to conduit. Box is needed to permit joining regular house wiring to special underground cable. If foundation is hard to get through, cable can be run through sill. If there's no cellar, cable can be run through conduit in house wall.



WARRANTY

Gaslight Conversions, Inc. warrants that your conversion kit, excluding bulbs, to be free of defect for one year from the date of purchase. If your conversion kit becomes defective within one year of the date of purchase, return the kit postage prepaid for prompt replacement. Include your mailing address and dated proof of purchase. Send to: Gaslight Conversions, Inc., 1039 Charles Ave., St. Paul, MN 55104.

Warranty is void if the defect is due to damage, product alteration, connection to an improper electrical supply, installation that is not in compliance with all national and local electrical codes, or where the product is not used in accordance with owner instructions. In no even shall Gaslight Conversions, Inc. be responsible for incidental or consequential damages.